

**Vertical, wall mounted stainless steel AISI 304 satin finish**
**Código: DJ0111CS**
**General description**

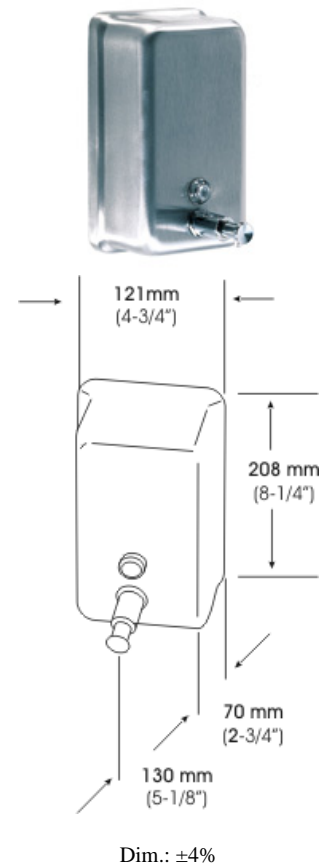
- Liquid soap dispenser, wall mounted.
- Push-button operated.
- Robust and vandal-resistant.
- Suitable for high traffic facilities.
- Model suitable for public use.
- It normally goes along with a warm air hand dryer.

**Components and Materials**

- Stainless steel AISI 304 one-piece container, 1 mm thick, satin finish. It is mounted on the wall by concealed vandal-resistant wall plate with 3 sheet-metal screws and 5 mm wall plugs (screws and wall plugs are provided). To refill, hinged lid opens for top filling only with special key provided.
- Chromed brass push-button.
- Chromed ABS push-in valve, with interior gaskets, to ensure tightness.
- ABS thermoplastic piston.
- Polycarbonate unbreakable refill-indicator window.
- Suitable soaps: Hand soaps, with neutral PH, not containing chlorine.

**Technical Specifications**

Dimensions - 208 x 121 x 70 mm
Capacity - 1,2 L
Quantity dispensed per pulsation - 1,1 ml
Operable force - 23,5 N
Maximum dimensions - 208x 121 x130 mm
Weight (empty dispenser) - 0,7 Kg
Recommended installation height from the self - 15-20 cm


**Operation**

Press push-button manually to dispense a measured amount of liquid soap. Valve is operable with one hand, without tight grasping, pinching, or twisting of the wrist.

**Certificates & Qualifications**

ISO 9001:2008.

**Specifications**

Wall mounted soap dispenser, robust and vandal-resistant with a body, made of stainless steel AISI 304, 1 mm thick, satin finish. It should be mounted on the wall by concealed vandal-resistant wall plate with 3 sheet-metal screws and 5 mm wall plugs. The screws and wall plugs should be provided. To refill, hinged lid opens for top filling only with special key provided. The dispenser should include a chrome brass push-button, ABS thermoplastic piston and a chromed ABS push-in valve, with interior gaskets, to ensure tightness. The dispenser should be provided with a Polycarbonate unbreakable refill-indicator window. The soap dispenser should be suitable for commercially marketed all purpose liquid and lotion hand soaps and synthetic detergents except for surgical soaps.

Overall dimensions shall be 208 x 121 x 130 mm.

Liquid soap dispenser shall be model DJ0111CS, stainless steel AISI 304 satin finish, of Mediclinics S.A., C/ Industria 54, E-08025 Barcelona, Spain.

Mediclinics, S.A., reserves the right to make changes and/or modifications to the products and their specifications without prior notice.

mediclinics S.A

